

**PLEASE CHECK WWW.MOLEX.COM FOR LATEST PART INFORMATION**

**Part Number:** [0354301900](#)  
**Status:** **Active**  
**Description:** 6.00mm (.236") Tab Wire-to-Wire Terminal, Female, Two-Piece Type, Wire Range AVS (CAVS) 2.00-3.00mm square (.079-.118")

**Documents:**

[Drawing \(PDF\)](#) [Product Specification PS-35385-001 \(PDF\)](#)  
[Product Specification PS-35270-001 \(PDF\)](#) [RoHS Certificate of Compliance \(PDF\)](#)

**General**

Product Family Crimp Terminals  
 Series [35430](#)  
 Crimp Quality Equipment Yes  
 Product Name N/A

**Physical**

Gender Female  
 Material - Metal Copper-Nickel-Tin, High Copper  
 Material - Plating Mating Tin  
 Material - Plating Termination Tin  
 Packaging Type Reel  
 Plating min: Mating (µin) 32.00  
 Plating min: Mating (µm) 0.800  
 Plating min: Termination (µin) 32.00  
 Plating min: Termination (µm) 0.80  
 Termination Interface: Style Crimp or Compression  
 Wire Insulation Diameter 3.10-4.20mm (.122-.165")  
 Wire Size AWG 12, 14  
 Wire Size mm<sup>2</sup> N/A

**Electrical**

Current - Maximum per Contact 30A

**Material Info**

**Reference - Drawing Numbers**

Product Specification PS-35270-001, PS-35385-001  
 Sales Drawing SD-35430-001

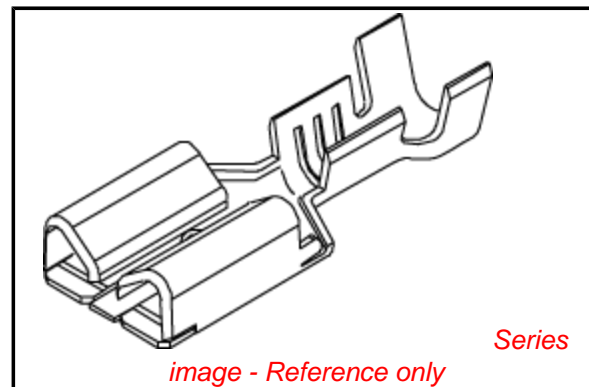


image - Reference only

**EU RoHS**

**ELV and RoHS Compliant**  
**REACH SVHC**  
**Contains SVHC: No**  
**Halogen-Free Status**

**China RoHS**



**Need more information on product environmental compliance?**

Email [productcompliance@molex.com](mailto:productcompliance@molex.com)  
 For a multiple part number RoHS Certificate of Compliance, [click here](#)

Please visit the [Contact Us](#) section for any non-product compliance questions.

**Search Parts in this Series**

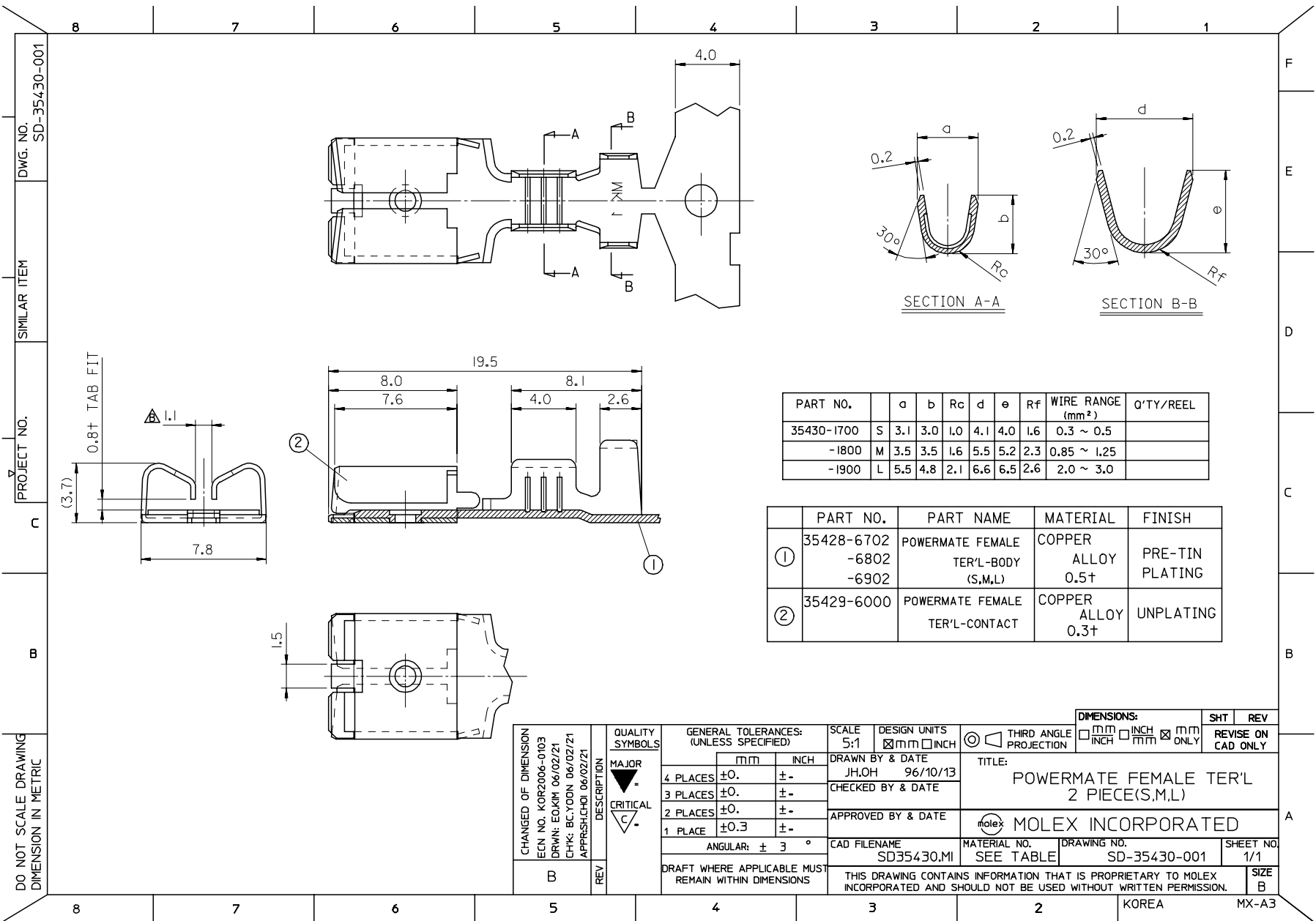
[35430Series](#)

**Mates With**

[35725 Terminal](#)

**Use With**

[35270 Housing](#)



PART NO.	a	b	Rc	d	e	Rf	WIRE RANGE (mm <sup>2</sup> )	Q'TY/REEL
35430-1700	S	3.1	3.0	1.0	4.1	4.0	0.3 ~ 0.5	
-1800	M	3.5	3.5	1.6	5.5	5.2	0.85 ~ 1.25	
-1900	L	5.5	4.8	2.1	6.6	6.5	2.0 ~ 3.0	

	PART NO.	PART NAME	MATERIAL	FINISH
①	35428-6702 -6802 -6902	POWERMATE FEMALE TER'L-BODY (S,M,L)	COPPER ALLOY 0.5†	PRE-TIN PLATING
②	35429-6000	POWERMATE FEMALE TER'L-CONTACT	COPPER ALLOY 0.3†	UNPLATING

CHANGED OF DIMENSION ECN NO. KOR2006-0103 DRWN: EOKIM 06/02/21 CHK: BC.YOON 06/02/21 APPR:SH-CHOI 06/02/21	QUALITY SYMBOLS MAJOR CRITICAL REFERENCE	GENERAL TOLERANCES: (UNLESS SPECIFIED)		SCALE 5:1	DESIGN UNITS <input checked="" type="checkbox"/> mm <input type="checkbox"/> INCH	THIRD ANGLE PROJECTION	DIMENSIONS: <input type="checkbox"/> mm <input type="checkbox"/> INCH <input checked="" type="checkbox"/> mm ONLY	SHT	REV	
		4 PLACES ±0.     ±- 3 PLACES ±0.     ±- 2 PLACES ±0.     ±- 1 PLACE ±0.3     ±-	DRAWN BY & DATE JH.OH 96/10/13	TITLE: POWERMATE FEMALE TER'L 2 PIECE(S,M,L)			<input checked="" type="checkbox"/> THIRD ANGLE PROJECTION		REVISE ON CAD ONLY	
		ANGULAR: ± 3 °	CHECKED BY & DATE APPROVED BY & DATE	MOLEX INCORPORATED			SHEET NO. 1/1		SIZE B	
		DRAFT WHERE APPLICABLE MUST REMAIN WITHIN DIMENSIONS	CAD FILENAME SD35430.MI	MATERIAL NO. SEE TABLE	DRAWING NO. SD-35430-001	THIS DRAWING CONTAINS INFORMATION THAT IS PROPRIETARY TO MOLEX INCORPORATED AND SHOULD NOT BE USED WITHOUT WRITTEN PERMISSION.		KOREA		MX-A3

MATERIAL		SEE TABLE	
GENERAL TOLERANCE		DIMENSION : *0.3	
ANGLE :		DRAWN BY	CHK'D BY
DIMENSION CLASSIFICATION		961013 J.K.OH	
<input checked="" type="checkbox"/> : CRITICAL <input type="checkbox"/> : MAJOR <input type="checkbox"/> : REFERENCE		APP'D BY	SCALE 5:1
A NEW RELEASE	971129	TITLE: POWERMATE FEMALE TER'L	
LTR REVISION RECORD	ECN DATE	2PIECE(S,M,L)	
REVISE ONLY ON CAD SYSTEM		ENG. NO.	REV A
		SD 35430-1700,1800,1900	

DWG. NO. SD-35430-001  
 SIMILAR ITEM  
 PROJECT NO.  
 DO NOT SCALE DRAWING DIMENSION IN METRIC